

• **Axelmed presents Paradigma**



It is the result of a 4-year research project, whose aim was to develop a quality medical device, simple to use and with clinical features that are the results of the synthesis of the current state of art in implantology.

**SIMPLICITY**

- A. One prosthetic connection for 5 implant diameters (internal hexagon connection with conical marginal seal) compatible with major brands;
- B. 5 implants designs to ensure control during insertion and optimal primary stability in most situations;
- C. SAP the Axelmed Surface Treatment: micro roughness, high purity and minimal ratio of pollution assure fast and safe osseointegration;
- D. A complete and intuitive surgical kit with high quality instruments, drills with DLC coating made in Italy, to deal with all clinical situations;

**RATIONAL OF THE IMPLANT DESIGN AND INNOVATIVE TECHNICAL FEATURES**

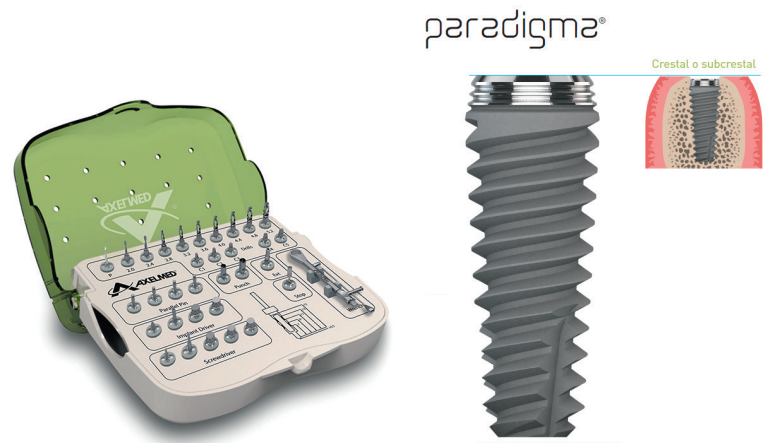
1. Implant surface: the Axelmed Paradigma Hybrid Surface SAP (Sandblasted, Acid Etching, Plasma Treatment) is a minimally-rough surface, with a high degree of decontamination, obtained through a blasting process using pure AL2O3, a triple acidification process with strong acids and a double treatment in the Argon Plasma reactor. The result is the creation of a surface able to reduce the osseointegration phase. At the same time, at the implant neck level, the presence of a machined surface, in combination with microthreads, allows to reduce the risk of developing peri-implantitis without compromising the stability of the marginal bone levels.
2. Implant geometry: Axelmed Paradigma is a crestal or subcrestal implant, with 5 diameters, each one with a specific thread design, based

on dynamic screwing in different types of bone. This feature is unique in the implant field and it was developed in order to guarantee good primary stability even in critical surgical conditions.

Another important aspect is the implant neck, which includes different features:

- a back tapered design, useful to increase the space for peri-implant bone and eliminate compression at the cortical bone level in order to minimize peri-implant bone resorption;
- platform switching, that contributes to reduce peri-implant bone resorption;
- microthread, that reduces stress and promotes new bone formation.

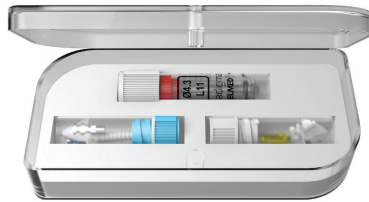
[www.axelmed.com](http://www.axelmed.com) // [sales@axelmed.com](mailto:sales@axelmed.com)



## • Axelmed

### ALL-IN-ONE Axelmed: a way to solve 80% of cases by ordering just 1 code

**ALL-in-ONE** is an innovative and rational product, manufactured by the implant company Axelmed. It has been developed with the aim to simplify the clinical daily routine in implant dentistry. Inside the box there are 3 different vials:

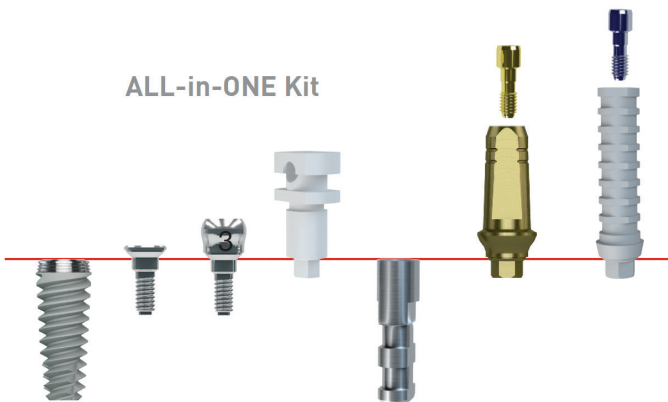


A. The main vial contains the Axelmed Paradigma implant, its cover screw and healing cap.

B. The vial with the blue cap contains the laboratory components (laboratory fixing screw, implant analog, castable abutment).

C. The vial with the white cap contains the components to perform the prosthetic phase in the dental office (aesthetic abutment, single use plastic transfer for closed tray impression technique, definitive fixing screw).

ALL-in-ONE Kit



This kind of packaging allows to achieve different benefits:

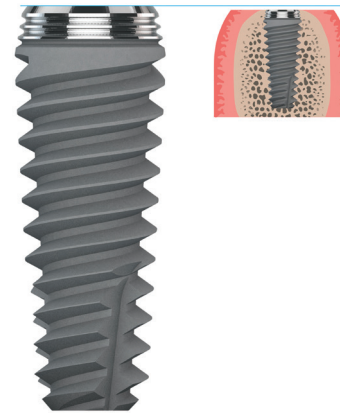
- **simplification:** at the end of the surgery, the dentist sends to the dental technician the vial with the blue cap. Inside he can find everything he needs to create the prosthesis;
- **time saving:** the possibility to order 9 components, using only 1 code, allows to simplify the dental office organization and save time to order the implant materials;
- **money saving:** the price for the ALL-in-ONE kit is 20% lower than the price calculated by the sum of each component.

• In case some components are not used in the procedure, they can be used with single implants in next cases.

[www.axelmed.com](http://www.axelmed.com) // [sales@axelmed.com](mailto:sales@axelmed.com)

## • Axelmed

### Axelmed Implant System



#### Axelmed Paradigma Implant

Axelmed Paradigma Dental Implant System is the result of a four-year long research project and it is able to encompass the current state of art in implantology and to provide the clinician with a proven effective medical device. Axelmed focused its attention on (1) 5 different implant design in order to guarantee a good primary stability in all bone quality conditions, (2) a surface treatment entirely done inside the company (SAP: Sandblasting, triple Acid Etching, double Plasma treatment, the result of which is an homogeneous micro-roughness with a top level decontamination) (3) simplicity thanks to the ALL-in-ONE kit which is very useful and (4) an attractive price both for Distributors and Doctors.

**Manufacturer:** Axelmed.

**Implant Morphology:** Tapered with back tapered neck.

**Surface:** SAP (Sandblasted - triple Acid Etched - double Plasma treatment)

**Available Implant Lengths (mm):** 7 / 9 / 11 / 13 / 15

**Available Implant Diameters (mm):** 3.4 / 3.8 / 4.3 / 5.0 / 5.6

**Seating Position To The Bone Crest:** Seating Position to the Bone Crest: Crestal or Subcrestal

**Abutment-Implant Connection Type:** Internal Hexagonal connection with Conical Marginal seal

**Index Type Abutment Repositioning:** Hexagonal

[www.axelmed.com](http://www.axelmed.com) // [sales@axelmed.com](mailto:sales@axelmed.com)